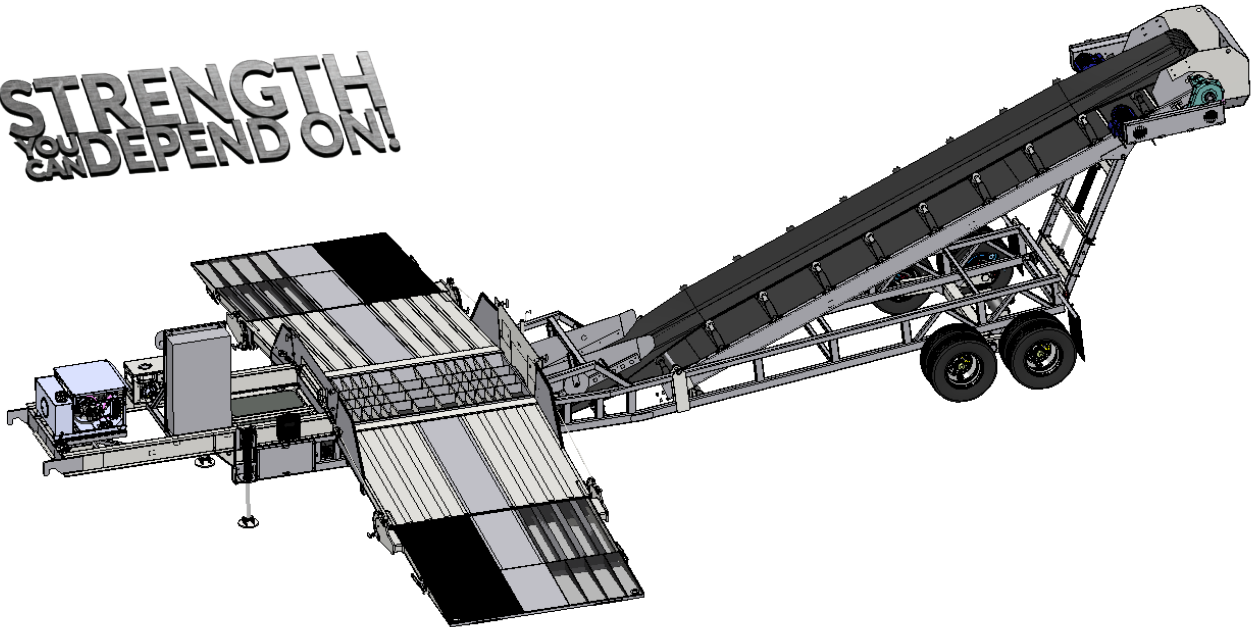


# MASABA

## 48" LOW PROFILE TRUCK UNLOADER WITH SELF-DEPLOYING OUTER RAMPS

**STRENGTH  
& DEPEND ON!**



Masaba's Low Profile Truck Unloader is an easy, portable option to keep unloading simple. Our truck unloaders are built with a heavy duty steel tubing frame. The self-deploying hydraulic ramps allow for easy placement in your operation and remove the need for earthen ramps. The 48" discharge conveyor comes with an AR lined discharge hood, perfect for feeding a stacker or other equipment in your spread.

### Main Frame & Chassis

- » Constructed of heavy duty steel tubing
- » Tandem axle walking beam
- » Hydraulic Landing Jacks
- » 13 HP Honda Power Unit
- » Road Portable (Brakes, lights, tires, mudflaps)
- » Appropriate Guarding\*

### Load Area

- » 10' x 5' Heavy Duty Grate
- » Self-Cleaning Ramps
- » Ramp bulkhead 10' wide x 9' long
- » Hydraulically folding ramps for road transport with Heavy-Duty hinges

### 48" Discharge Conveyor

- » Hydraulic raise and lower undercarriage
- » Dual Class II Head Drive
- » (2) Dodge shaft mount reducers
- » (2) WEG 25HP 1800 RPM motors
- » (2) V-Belt Drives with guards
- » 1,000 STPH of 100 PCF material

- » Belt Speed - 225 FPM
- » Manual adjustable slide gate
- » Steel hold down wheels
- » Cema C Idlers
- » Heavy Duty pulleys
- » Dodge Pillow block bearings
- » 3-ply vulcanized belting
- » Flexco belt scraper
- » Discharge Hood with AR liners

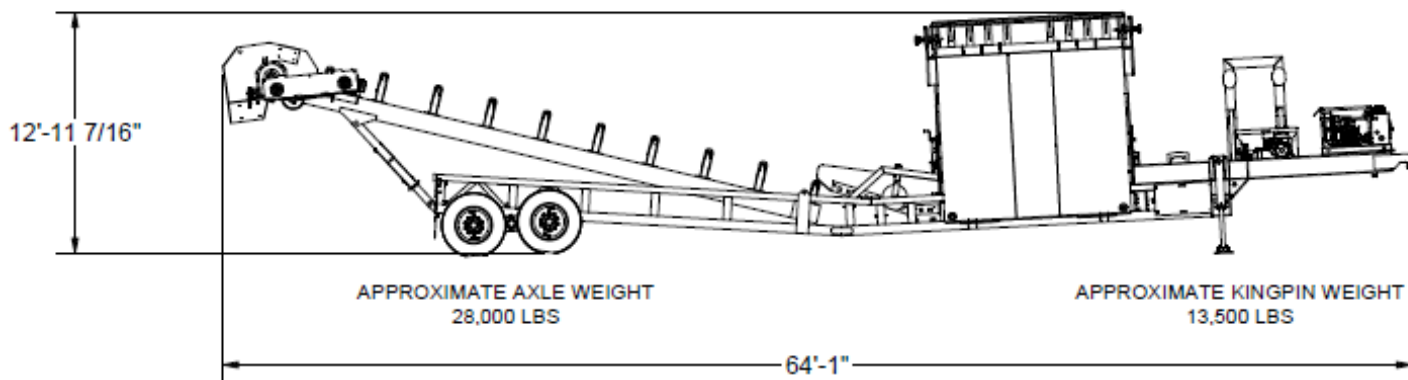
### Additional Options

- » 20 HP Hydraulic electric pumping unit
- » Wireless Remote Control System
- » Controls for ramps and conveyor discharge
- » 480V/3ph/60Hz enclosed electrical panel with main disconnect, breaker and push button on/off switches with soft start
- » 100' lead cord
- » Intraflow central lube system
- » Continuous Cycling Ramps with hot climate hydraulic protection
- » Self-deploying ramps

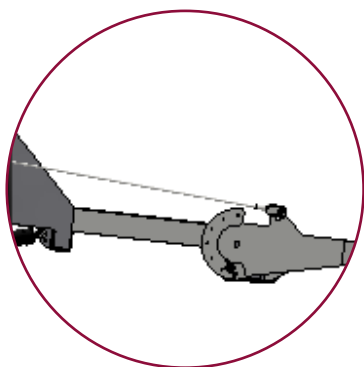
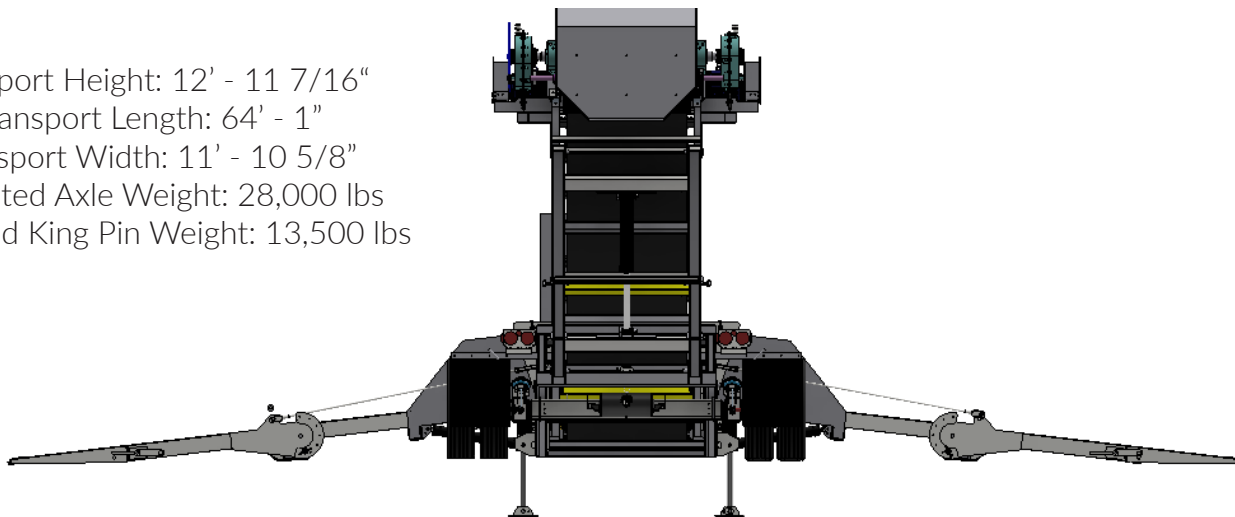
\* Appropriate guarding supplied. We do not warrant that our guards will meet all local codes. It is the responsibility of the end user to have them checked by a local inspector.

# MASABA

[www.masabainc.com](http://www.masabainc.com)

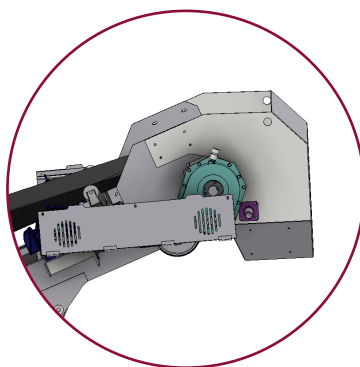


Transport Height: 12' - 11 7/16"  
 Transport Length: 64' - 1"  
 Transport Width: 11' - 10 5/8"  
 Estimated Axle Weight: 28,000 lbs  
 Estimated King Pin Weight: 13,500 lbs



### Self-Deploying Ramps

Hydraulic cable system eliminates the need for additional equipment to lift or move.



### Discharge Hood

with AR liners to feed 36" belt width or greater.



### Wireless Remote Control

Easily pair your truck unloader with our Magnum Telescoping Conveyor with the wireless remote.

NOTE: SPECIFICATIONS ARE SUBJECT TO CHANGE WITHOUT NOTICE: Because Masaba, Inc. may use in its catalog & literature, field photographs of its products which may have been modified by the owners, products furnished by Masaba, Inc. may not necessarily be as illustrated therein. Also continuous design progress makes it necessary that specifications be subject to change without notice. All sales of the products of Masaba, Inc. are subject to the provisions of its standard warranty. Masaba, Inc. does not warrant or represent that its products meet any federal, state or local statutes, codes, ordinances, rules, standards or other regulations, Including OSHA and MSHA, covering safety pollution, electrical, wiring, etc. Compliance with these statutes and regulations is the responsibility of the user and will be dependent upon the areas and the use to which the product is put by the user. In some photographs, guards may have been removed for illustrative purposes only. This equipment should not be operated without all guards attached in their normal position. Placement of guards and safety equipment is often dependent upon the area and the use to which the product is put. A safety study should be made by the user of the application, and, if required, additional guards, warning signs and other safety devices should be installed by the user, wherever appropriate before operating the products.