

MASABA



Jaw Crushing Plant

www.masabainc.com

Portable C125 Jaw Crushing Plant

Main Frame and Chassis

- Various Axle Configurations (Split Quad Axle, 118 Track, 5'1" Spacing shown)
- Wide Flange Beam Main Frame
- Heavy Duty Suspension
- Upper/Lower Access Platforms
 - Diamond-Plated Catwalk
 - Access Ladder
 - Railings
- (16) 11R x 22.5 radial tires (as shown)
- Brakes
- Lights
- (6) Hydraulic Jacks
- Mudflaps
- Fenders

54" x 50' Undercrusher Conveyor

- **25 hp**
- Dodge TXT #6 Gear Reducer
- Single Fold
- Discharge Over King Pin
- **14' 3" Discharge Height**
- Flashing to Fold point
- CEMA C Idlers
- Impact Idlers
- US Flex Belting with Vulcanized Splice

Hydraulic Lift Off Hopper (Optional)

- **Dedicated 13hp Honda Motor**
 - Pendant Control
- Vibrating Grizzly Feeder (VGF)
 - **50 hp 1800 rpm** VGF Motor
- Hydraulic Folding Hopper Wings
 - Optional (shown)
 - **17' Feed Width** in Operation

Crushing System

- **200 hp 1200 rpm** Crusher Motor
- **50 hp, 1800 rpm** Feeder Motor
- Impact Bed Under Crusher

Features

- Appropriate Guarding
- (1) Coat 2 part Urethane Paint
- (1) Coat 2 part Urethane Primer
- Steel-shot blasted
- (2) Owner's manual for start-up and maintenance

Options

- Switchgear
 - NEMA 4 Enclosure
- Upgrade to (6) Masaba 70,000 lb Brute run on hydraulic jacks
- Booster Axle Hitch
- Hydraulic Breaker Mount with Caged Access Ladder
- (2) Bulkheads
- Toolbox

STRENGTH
YOU
CAN DEPEND ON!

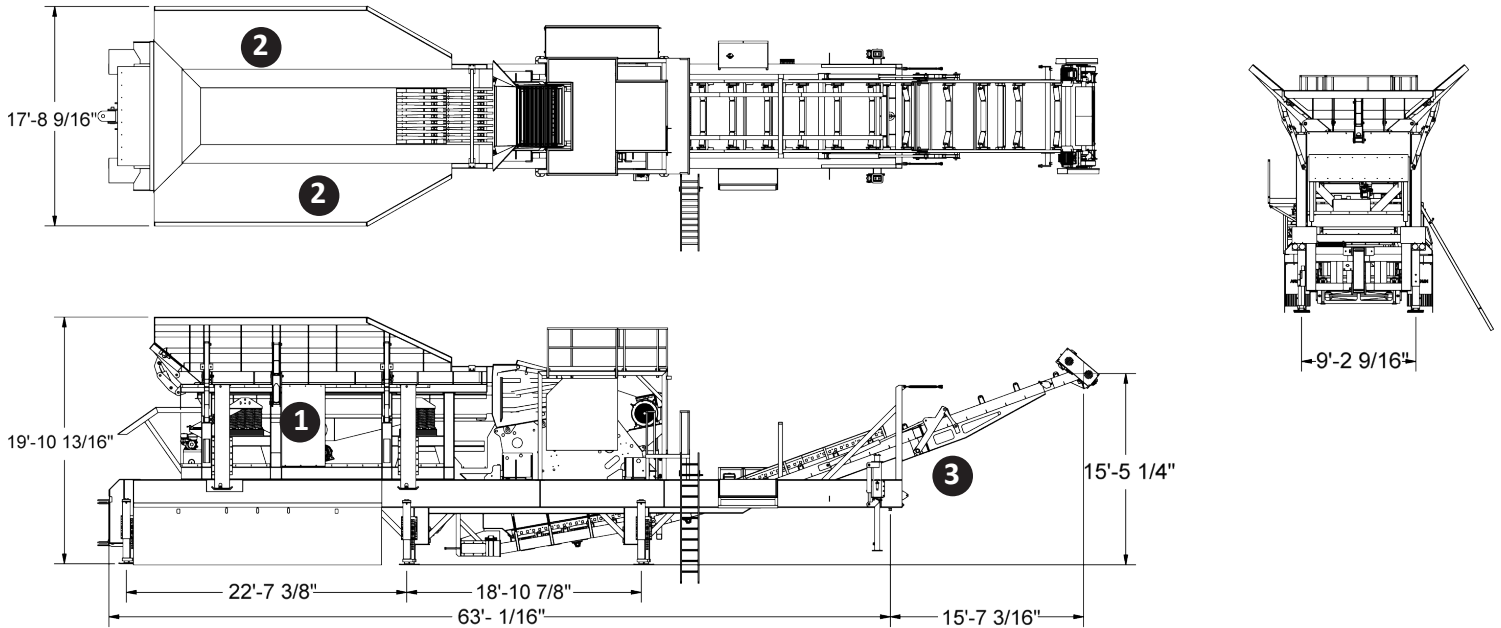
MASABA

1617 317th Street - PO Box 345, Vermillion, South Dakota 57069 USA, www.masabainc.com, 877-627-2220 or 605-624-9555

MASABA Portable C125 Jaw Crushing Plant

BENEFITS OF MASABA

Masaba's C 125 Jaw Plant is the toughest and most heavy duty jaw plant on the market. The innovative Hopper and VGF Module (1) hydraulically lifts completely away from the chassis. To maximize production, Hydraulic Folding Wings (2) increase the feed width to over 17' in operating position but fold in to allow for road travel. A 54" x 50' Discharge Conveyor (3) provides a discharge height of over 14' making this plant perfect for feeding other equipment in your operation.



C125 Jaw Plant Less Feeder and Booster

King Pin Weight: 81,920 lbs

Axle Weight: 75,450 lbs

Feeder and Bulkheads

King Pin Weight: 34,330 lbs

Axle Weight: 45,420 lbs

NOTE: Listed weights are not exact. Actual weights will vary based on screen size, brand, options, etc.



Lift Off Hopper and VGF Module



54" Discharge Conveyor
Kingpin End Discharge



Upper and Lower Platforms
Double Handrails and Kickplates



MASABAinc.com
1-877-627-2220
info@MASABAinc.com

REVISION December 2013

NOTE: SPECIFICATIONS ARE SUBJECT TO CHANGE WITHOUT NOTICE: Because MASABA, Inc. may use in its catalog & literature, field photographs of its products which may have been modified by the owners, products furnished by MASABA, Inc. may not necessarily be as illustrated therein. Also continuous design progress makes it necessary that specifications be subject to change without notice. All sales of the products of MASABA, Inc. are subject to the provisions of its standard warranty. MASABA, Inc. does not warrant or represent that its products meet any federal, state, or local statutes, codes, ordinances, rules, standards or other regulations, including OSHA and MSHA, covering safety pollution, electrical, wiring, etc. Compliance with these statutes and regulations is the responsibility of the user and will be dependent upon the area and the use to which the product is put by the user. In some photographs, guards may have been removed for illustrative purposes only. This equipment should not be operated without all guards attached in their normal position. Placement of guards and other safety equipment is often dependent upon the area and the use to which the product is put. A safety study should be made by the user of the application, and, if required, additional guards, warning signs and other safety devices should be installed by the user, wherever appropriate before operating the products.