

MASABA



www.masabainc.com

Jaw Crushing Plant

Portable 3054 Jaw Crushing Plant

Main Frame and Chassis

- Various Axle Configurations (Split Three Axle shown)
- Wide Flange Beam Main Frame
- Heavy Duty Suspension
- Upper/Lower Access Platforms
 - Diamond-Plated Catwalk
 - Access Ladder
 - Railings
- Fenders
- (12) 11R x 22.5 radial tires (as shown)
- Brakes
- Lights
- (6) Hydraulic Jacks

54" Under Crusher Conveyor

- **20 hp 1800 rpm**
- Discharge Over King Pin
- Flashing
- CEMA C Idlers
- 3 Ply Belting with Mechanical Splice
- 13' Discharge Height
- Impact Bed Under Crusher
- Belt Scraper

Crushing System

- **200 hp 1200 rpm** Crusher Motor
- **40 hp 1800 rpm** Feeder Drive Motor
- 3/4" AR 400 Steel Feeder Hopper
 - 1/2" AR 400 Grizzly Bypass Chute
- (2) Bulkheads
 - 1/2" mild plate

Features

- (2) Swing-Down Stiff Leg Bottle Jacks
- Appropriate Guarding
- (1) Coat 2 part urethane Primer
- (1) Coat 2 part Urethane Paint
- Steel-shot blasted
- (2) Owner's manual for start-up and maintenance

Options

- Switchgear
 - NEMA 4 Enclosure
- Upgrade to (6) Masaba Brute Run On Jacks
- Vulcanized Belt Splice
- Booster Axle Hitch

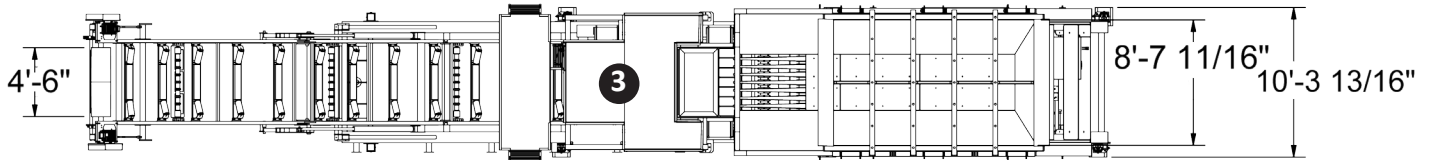
STRENGTH
YOU CAN DEPEND ON!

MASABA

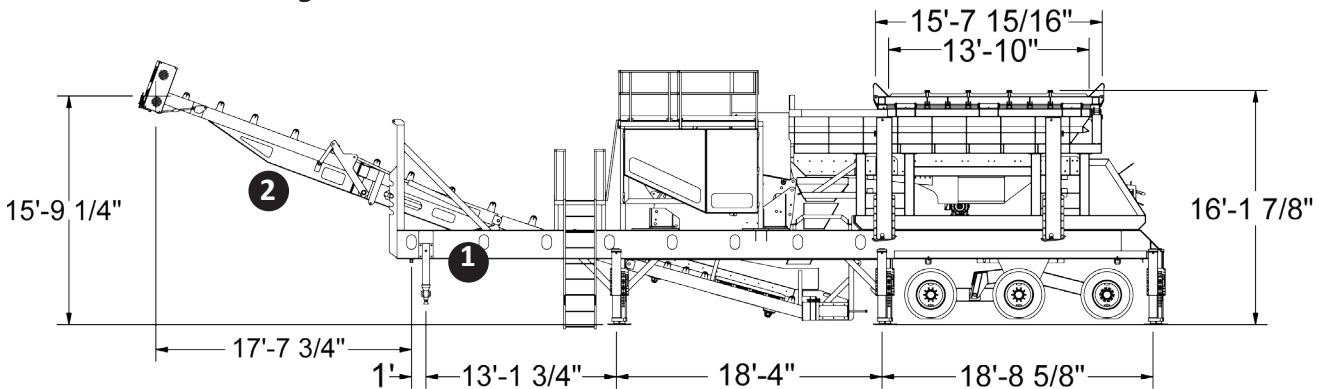
1617 317th Street - PO Box 345, Vermillion, South Dakota 57069 USA, www.masabainc.com, 877-627-2220 or 605-624-9555

BENEFITS OF MASABA

Masaba crushing plants are built to be the toughest equipment available. The Portable 3054 Plant is built on a Wide Flange Beam Chassis (1) that provides both portability and strength. Your crushed material can easily be discharged for stockpiling or secondary crushing with the 54" Undercrusher Conveyor (2) that lives up to Masaba's reputation of reliability. Upper and Lower Access Platforms (3) allow for convenient viewing and maintenance.



King Pin Weight: 59,790 lbs
Axle Weight: 94,910 lbs



3054 Jaw Plant Less Feeder Hopper
King Pin Weight: 50,400 lbs
Axle Weight: 60,260 lbs

Feeder Hopper
King Pin Weight: 24,290 lbs
Axle Weight: 34,330 lbs

NOTE: Listed weights are not exact. Actual weights will vary based on screen size, brand, options, etc.



Plasma Cut Flywheel Cover



54" Undercrusher Conveyor
 Kingpin End Discharge



Wide Flange Beam Chassis



MASABAinc.com
1-877-627-2220
info@MASABAinc.com

REVISION December 2013

NOTE: SPECIFICATIONS ARE SUBJECT TO CHANGE WITHOUT NOTICE: Because MASABA, Inc. may use in its catalog & literature, field photographs of its products which may have been modified by the owners, products furnished by MASABA, Inc. may not necessarily be as illustrated therein. Also continuous design progress makes it necessary that specifications be subject to change without notice. All sales of the products of MASABA, Inc. are subject to the provisions of its standard warranty. MASABA, Inc. does not warrant or represent that its products meet any federal, state, or local statutes, codes, ordinances, rules, standards or other regulations, including OSHA and MSHA, covering safety pollution, electrical, wiring, etc. Compliance with these statutes and regulations is the responsibility of the user and will be dependent upon the area and the use to which the product is put by the user. In some photographs, guards may have been removed for illustrative purposes only. This equipment should not be operated without all guards attached in their normal position. Placement of guards and other safety equipment is often dependent upon the area and the use to which the product is put. A safety study should be made by the user of the application, and, if required, additional guards, warning signs and other safety devices should be installed by the user, wherever appropriate before operating the products.