

MASABA



www.masabainc.com

Cone Crushing Plant

Portable HP300 Crushing Plant

Main Frame and Chassis

- Various Axle Configurations
- Wide Flange Beam Main Frame
- Access Platform
 - Diamond-Plated Catwalk
 - Access Ladder
 - Railings
- 11R x 22.5 radial tires
- Brakes
- Lights

48" Rear Discharge Conveyor

- **20 hp**
- Axle End Discharge
- Dodge #4 Gear Reducer
- CEMA C Idlers
- 3 Ply Belting with Mechanical Splice
- Full Length Flashing
- Belt Scraper

Crushing System

- **300 hp 1200 rpm** Crusher Motors
- Undercrusher Hopper
 - Rock Ledge
 - 3/8" AR Steel
- Rock Box Feed Hopper
- Cone Overflow Chute

Features

- (4) Hydraulic Lifting Jacks
- (1) Coat 2 part Urethane Primer
- (1) Coat 2 part Urethane Paint
- Steel-shot blasted
- (2) Owner's manual for start-up and maintenance

Options

- Switchgear
 - NEMA 4 Enclosure
- Upgrade to (4) Masaba 70,000 lb Brute Run On Hydraulic Jacks
- Vulcanized Belt Splice
- Toolbox

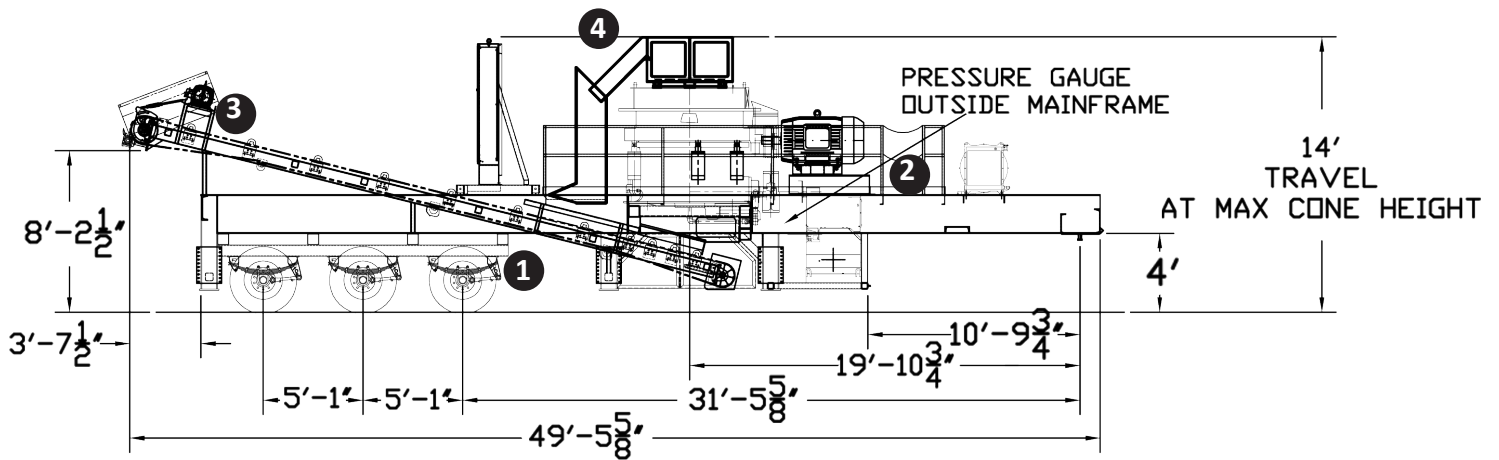
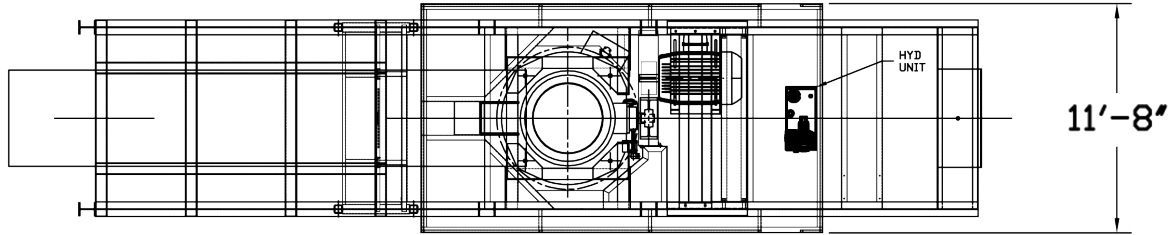
STRENGTH
YOU
CAN **DEPEND** On!

MASABA

1617 317th Street - PO Box 345, Vermillion, South Dakota 57069 USA, www.masabainc.com, 877-627-2220 or 605-624-9555

BENEFITS OF MASABA

Masaba Portable Crushing Plants are designed and built to be the toughest plants available. The Masaba Portable HP300 Plant is built on a Heavy Duty Wide Flange Beam Chassis (1) and features an Access Platform (2) complete with diamond plate decking, kickplates, and double 2" handrails. The 48" Discharge Conveyor (3) comes complete with impact idlers and 3 ply belting and discharges product from under the crusher and the 1/4" Cone Overflow Chute (4). Masaba offers both open and closed circuit plants with a variety of conveyor configurations.



King Pin Weight: 30,490 lbs
Axle Weight: 46,340 lbs

NOTE: Listed weights are not exact. Actual weights will vary based on axle configuration, options, etc.



48" Discharge Conveyor



Wide Flange Beam Chassis



Diamond Plate Platforms
 Double 2" Handrails and Kickplates



MASABAinc.com
1-877-627-2220
info@MASABAinc.com

REVISION December 2013

NOTE: SPECIFICATIONS ARE SUBJECT TO CHANGE WITHOUT NOTICE: Because MASABA, Inc. may use in its catalog & literature, field photographs of its products which may have been modified by the owners, products furnished by MASABA, Inc. may not necessarily be as illustrated therein. Also continuous design progress makes it necessary that specifications be subject to change without notice. All sales of the products of MASABA, Inc. are subject to the provisions of its standard warranty. MASABA, Inc. does not warrant or represent that its products meet any federal, state, or local statutes, codes, ordinances, rules, standards or other regulations, including OSHA and MSHA, covering safety pollution, electrical, wiring, etc. Compliance with these statutes and regulations is the responsibility of the user and will be dependent upon the area and the use to which the product is put by the user. In some photographs, guards may have been removed for illustrative purposes only. This equipment should not be operated without all guards attached in their normal position. Placement of guards and other safety equipment is often dependent upon the area and the use to which the product is put. A safety study should be made by the user of the application, and, if required, additional guards, warning signs and other safety devices should be installed by the user, wherever appropriate before operating the products.