

# MASABA

## PORTABLE 6X20 TRIPLE DECK SCREEN OVER TWIN 36" SCREW WASH PLANT



Masaba's sales team and engineers work continuously with producers and have created an exceptional wash plant designed for fast setup and ease of maintenance to increase uptime. Masaba's Twin 36" x 25' Fine Material Washers will efficiently remove all clays, slimes and silts from your material.

### Main Frame & Chassis

- » Road Portable Triple Axle chassis w/ landing jacks
- » Diamond Plate Catwalk w/ Handrail & Ladder
- » Lockable Toolbox with hinged lid
- » Appropriate Guarding\*

### Wash System

- » 6x20 Triple Deck Screen
- » WEG 40 HP 1200 RPM Screen Motor
- » Masaba Twin 36" x 15' Sand Screws
- » Static spray system with manifold spray bars
- » (2) Pressure Gauges
- » Manual raise slurry box with 3 spray bars
- » Ball valve to balance flow between screws
- » 1/4" mild steel under screen flume

### (2) 24" x 11' Reversible Cross Conveyors

- » 375 FPM belt speed
- » 5 HP Motor, Dodge Reducer & Bearings
- » 10" Head/Tail Pulleys with Type E Bearings
- » PPI Cema B Idlers with rubber disk returns
- » 2-ply 3/16" x 1/16" mechanical spliced belts

### Options/Upgrades Added To This Plant

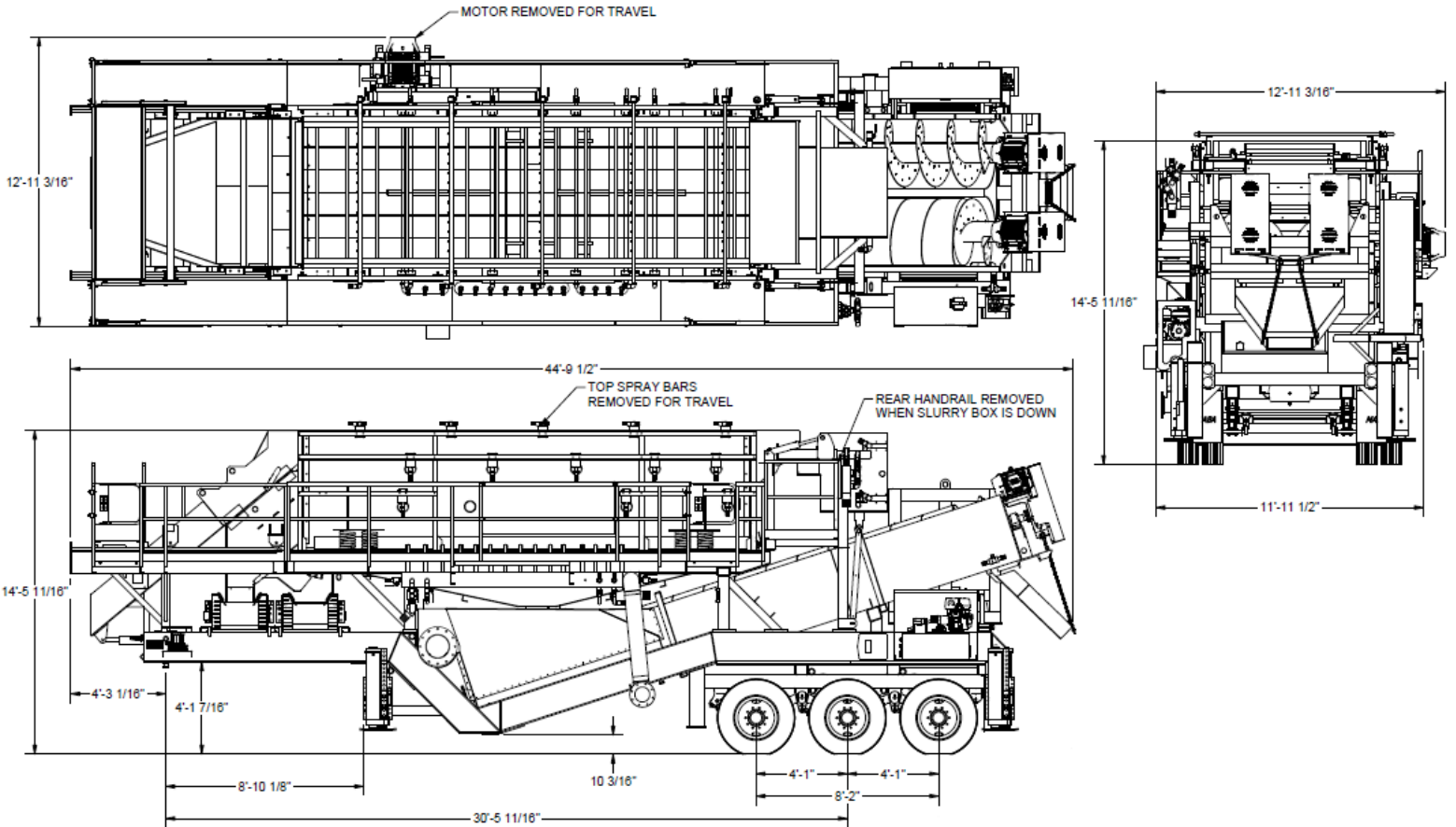
- » Hydraulics Package Upgrades Include:
  - » 13 HP Honda Electric Gas Start Unit
  - » Hydraulic Raise/Lower Slurry Box
  - » Hydraulic Roll Away Chutes
  - » (4) 70,000 lb. Brute Run on Jacks
- » Switchgear with optional VFD
  - » 2 extra 20HP starters
  - » 100' lead cord
- » Cross Conveyors
  - » Van der Graff Head Pulley
  - » Vulcanized Belts
  - » Roll Away Cross Conveyors w/ Lockdowns
- » Catwalk
  - » Crossover Platform with Safety Gates
  - » 4 Access Points with Safety Gates
- » Top Deck Overflow Chute Flop Gates
- » Masaba 2 Piece Screen Guard
- » 3/8" UHMW Liners in Flume

**STRENGTH  
& DEPEND ON!**

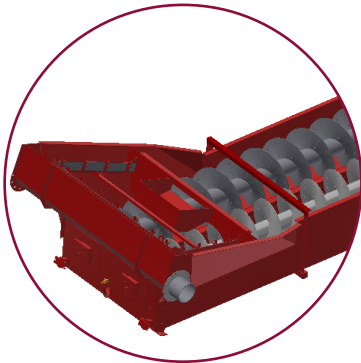
\* Appropriate guarding supplied. We do not warrant that our guards will meet all local codes. It is the responsibility of the end user to have them checked by a local inspector.

# MASABA

[www.masabainc.com](http://www.masabainc.com)

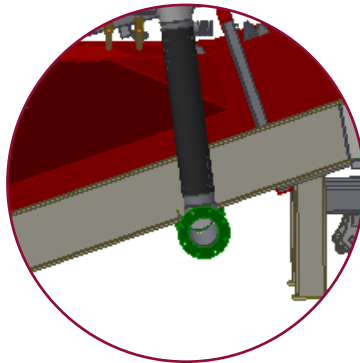


Transport Height: 14' - 5 11/16" | Transport Length: 44' - 9 1/2" | Transport Width: 11' - 11 1/2"  
 Estimated Axle Weight: 50,550 lbs | Estimated King Pin Weight: 29,907 lbs



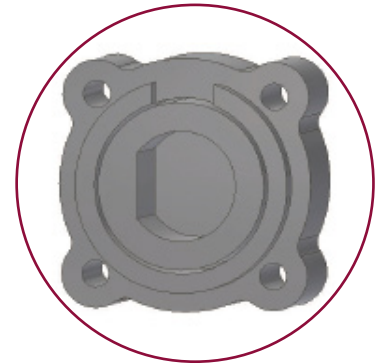
### Twin 36" Sand Screw

New deep overflow trough system eliminates buildup of sediment in side overflows.



### Water Supply

Ambidextrous water input with ANSI flange for easy water line connection.



### Ni Hard Bearings

Continuous positive water flow for flushing sand and sediment out of bearings.

NOTE: SPECIFICATIONS ARE SUBJECT TO CHANGE WITHOUT NOTICE: Because Masaba, Inc. may use in its catalog & literature, field photographs of its products which may have been modified by the owners, products furnished by Masaba, Inc. may not necessarily be as illustrated therein. Also continuous design progress makes it necessary that specifications be subject to change without notice. All sales of the products of Masaba, Inc. are subject to the provisions of its standard warranty. Masaba, Inc. does not warrant or represent that its products meet any federal, state or local statutes, codes, ordinances, rules, standards or other regulations, including OSHA and MSHA, covering safety pollution, electrical, wiring, etc. Compliance with these statutes and regulations is the responsibility of the user and will be dependent upon the areas and the use to which the product is put by the user. In some photographs, guards may have been removed for illustrative purposes only. This equipment should not be operated without all guards attached in their normal position. Placement of guards and safety equipment is often dependent upon the area and the use to which the product is put. A safety study should be made by the user of the application, and, if required, additional guards, warning signs and other safety devices should be installed by the user, wherever appropriate before operating the products.